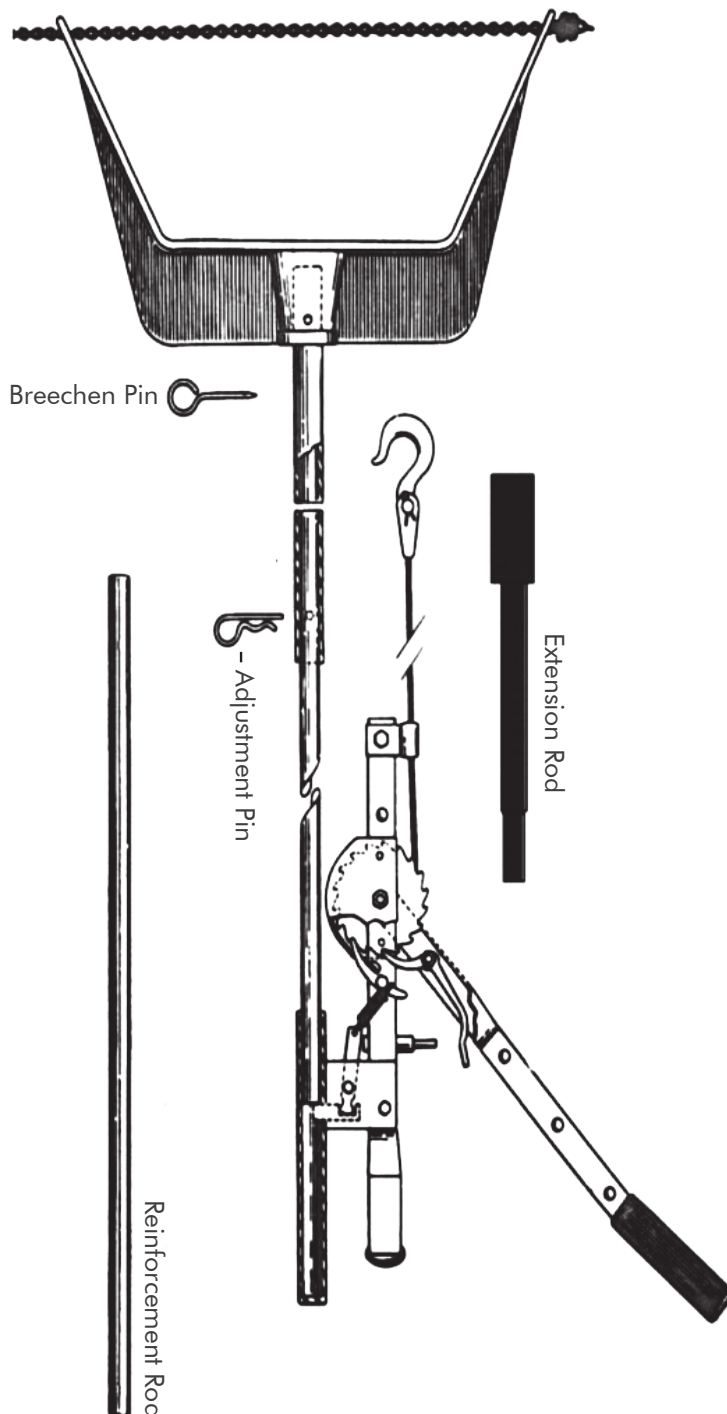


# BOWIE™

A Higher Standard of Excellence

## CATTLE CITY Fetal Extractor



The Cattle City Fetal Extractor has many exclusive features, such as an instant release, insulated handles, variable speed, and a breechen supported by an easily cleaned chain. There are also a variety of models to suit different sizes, and option requirements you may have. Look below for more Bowie accessories.

### Available Models

#### Model 6F

- 6' long x 1-1/8" aluminum alloy rod guaranteed not to bend
- No need to retie when pulling a long calf
- Power pull with quick release feature
- Breechen with chain

#### Model 6F COMPLETE

- 6' long x 1-1/8" aluminum alloy rod guaranteed not to bend
- Power pull
- Breechen with chain
- Carrying case with commercial zipper

#### Model 5F

- 5'-1" long x 1-1/8" aluminum alloy rod, guaranteed not to bend
- No need to retie when pulling a long calf
- Power pull with quick release feature
- Breechen with chain

#### Model 5F COMPLETE

- 5'-1" long x 1-1/8" aluminum alloy rod, guaranteed not to bend
- Power Pull
- Breechen with chain
- Carrying case with commercial zipper

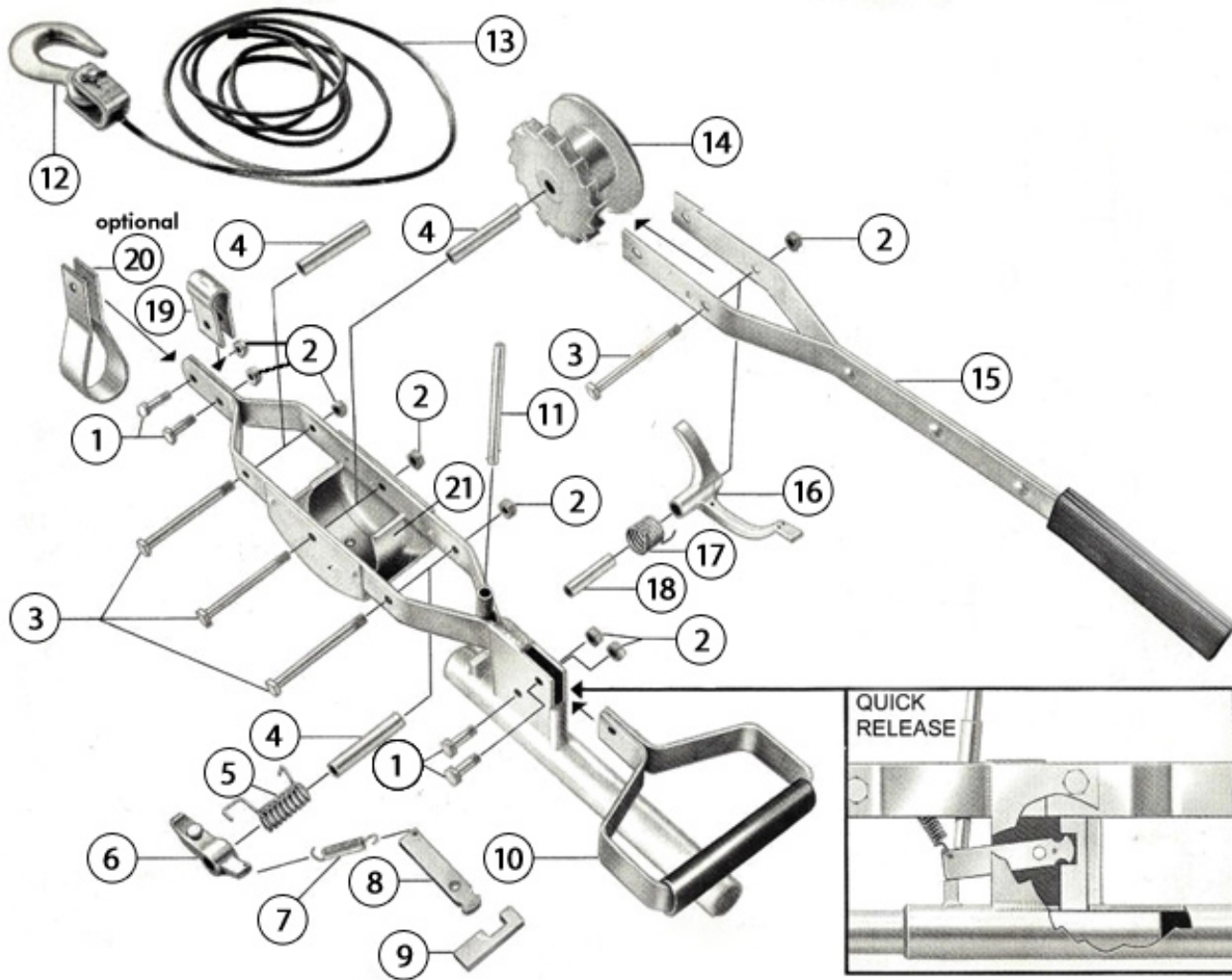
#### PRODUCT ACCESSORIES:

Don't worry about punctured fingers from frayed wires, or the cable slipping when pressure is applied with this clear vinyl coated cable. Also, don't forget to grab a handy carrying case.



## Replacement Parts - Reference Drawing Below

- |                         |                    |                                 |
|-------------------------|--------------------|---------------------------------|
| 1. 1/4" x 1" Bolts      | 8. Release Bar     | 15. Ratchet Handle              |
| 2. 1/4" Nuts            | 9. Release Catch   | 16. Lever Pawl                  |
| 3. 1/4" x 2 1/4" Bolts  | 10. Handle (Frame) | 17. Pawl Spring                 |
| 4. Short Bushing Sleeve | 11. Pin Release    | 18. Pawl Bushing                |
| 5. Ratchet Pawl Spring  | 12. Hook           | 19. Cable Guide                 |
| 6. Ratchet Pawl         | 13. Cable          | 20. 6F Guide for Rod (optional) |
| 7. Auto Release Spring  | 14. Ratchet Wheel  | 21. Level Wind                  |



**BOWIE™**

**Bowie International LLC**  
 313 South Hancock Street  
 P.O. Box 123  
 Lake City, IA 51449  
 P 800.831.0960  
 F 712.464.8601  
[www.bowieintl.com](http://www.bowieintl.com)